

ÜBERTILE® Product Information Sheet

Category: **Build Template**

Model: **36"x36" 2 Wall, 2 Curb**

Drain Location: **Center**

Size: **36"x36"** (to outside of curb)

Part Number: **K-3636-22**

Reference Image



Specifications

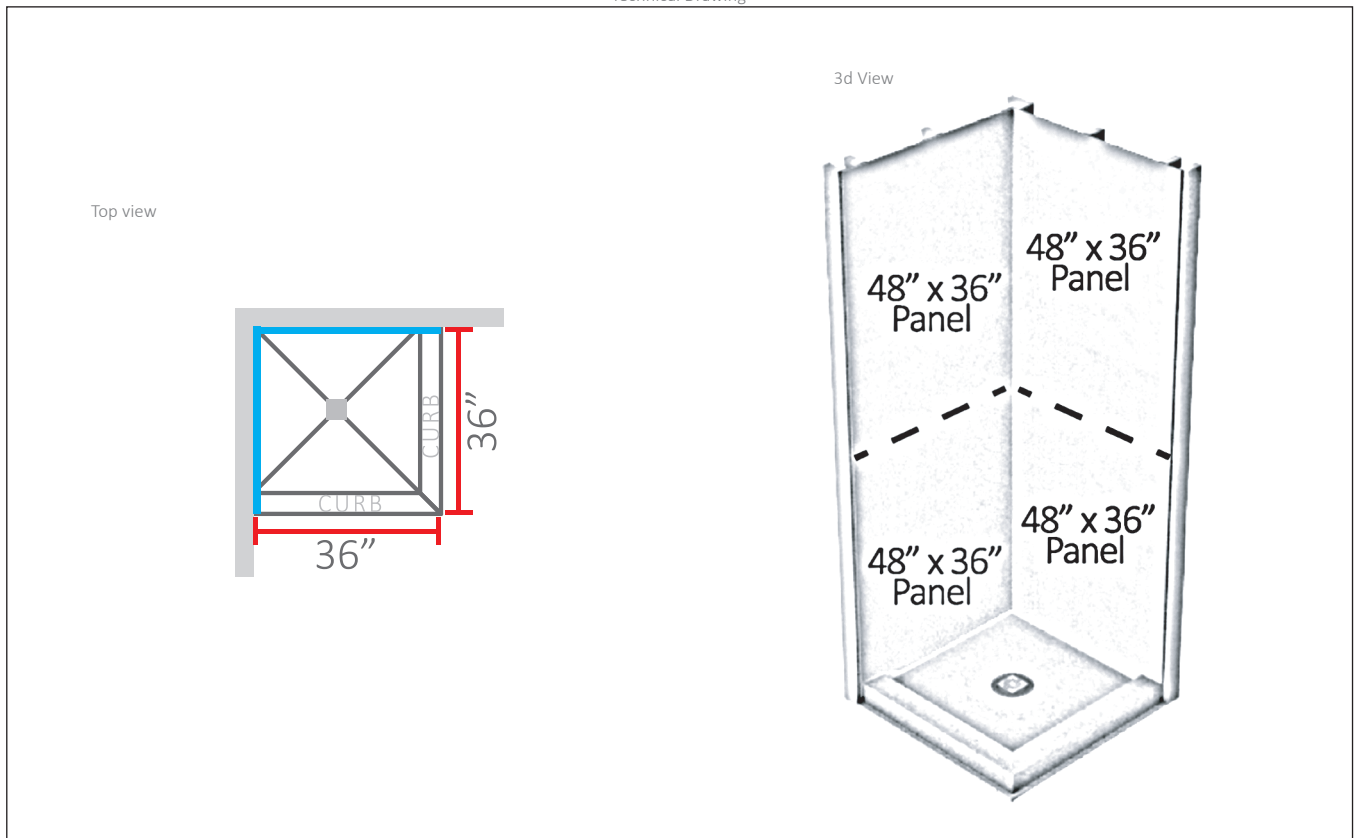
Contents:	1@	36"x36" Pre-Sloped Pan
	1@	Drain Kit Complete (must select color)
	4@	48"x36"x1/2" Uberboard Classic Panels
	1@	1 Box Screws & Washers (100 qty)
	6@	Uberseal Joint Sealant
	1@	Flat & Corner Spreader
	2@	36" Shower Curb

Description

Build Templates are available to purchase as a "kit" or to help calculate required materials for your shower project.

The pricing of a kit is composed by adding up all the individual components. To purchase the items separately or as a kit, the total price will be the same.

Technical Drawing



This document is intended to provide general information. Data may change without notice. The information shown is not an installation manual. Refer to website for full installation manual.

www.ubertile.com

©Übertile® a division of the Rudiger Group Inc. All rights reserved